

PRODUCT INFORMATION PACKET



Model No: C4T17DC50A

Catalog No: 103723.00

..1/3HP..1725RPM.S56J.DP.230/460V.3PH.60HZ.CONT.40C.1.35SF.C FACE.C4T17DC50.....NONE.....

Jet Pump



Regal and Leeson are trademarks of Regal Beloit Corporation or one of its affiliated companies.

©2018 Regal Beloit Corporation, All Rights Reserved. MC017097E





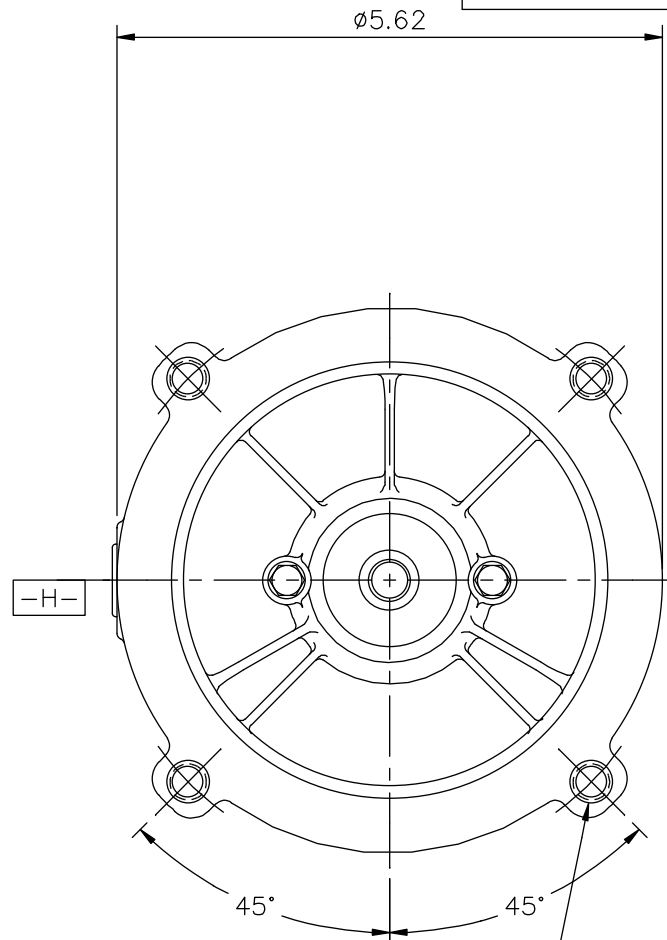
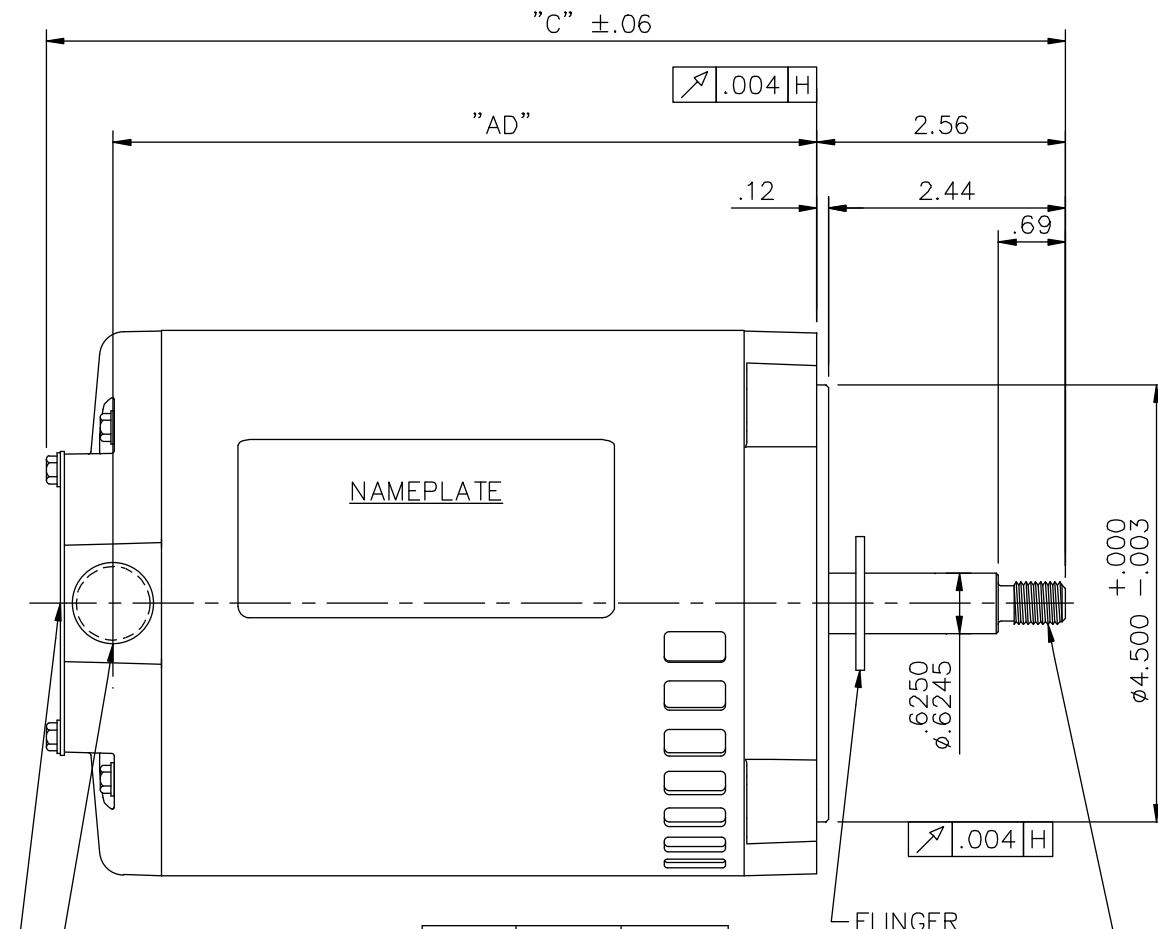
Nameplate Specifications

Output HP	0.33 Hp	Output KW	0.25 kW
Frequency	60 Hz	Voltage	208-230/460 V
Current	1.7-1.8/0.90 A	Speed	1725 rpm
Service Factor	1.35	Phase	3
Efficiency	64.3 %	Duty	Continuous
Insulation Class	B	Design Code	NO DESIGN CODE
KVA Code	M	Frame	S56J
Enclosure	Drip Proof	Overload Protector	No
Ambient Temperature	40 °C	Drive End Bearing Size	6203
Opp Drive End Bearing Size	6203	UL	Recognized
CSA	Y	CE	N
IP Code	12		

Technical Specifications

Electrical Type	Squirrel Cage Induction Run	Starting Method	Across The Line
Poles	4	Rotation	Reversible
Mounting	Round	Motor Orientation	HORIZONTAL
Drive End Bearing	BALL	Opp Drive End Bearing	BALL
Frame Material	Rolled Steel	Shaft Type	J
Overall Length	10.00 in	Frame Length	5.50 in
Shaft Diameter	0.625 in	Shaft Extension	2.44 in
Assembly/Box Mounting	F1 ONLY		
Outline Drawing	032113-550	Connection Diagram	005010.01

032113



1/2-14 NPT
CONDUIT HOLE


SCREWDRIVER SLOT
IN SHAFT

NAMEPLATE

FLINGER
7/16-20 UNF 2A
RIGHT HAND THREAD

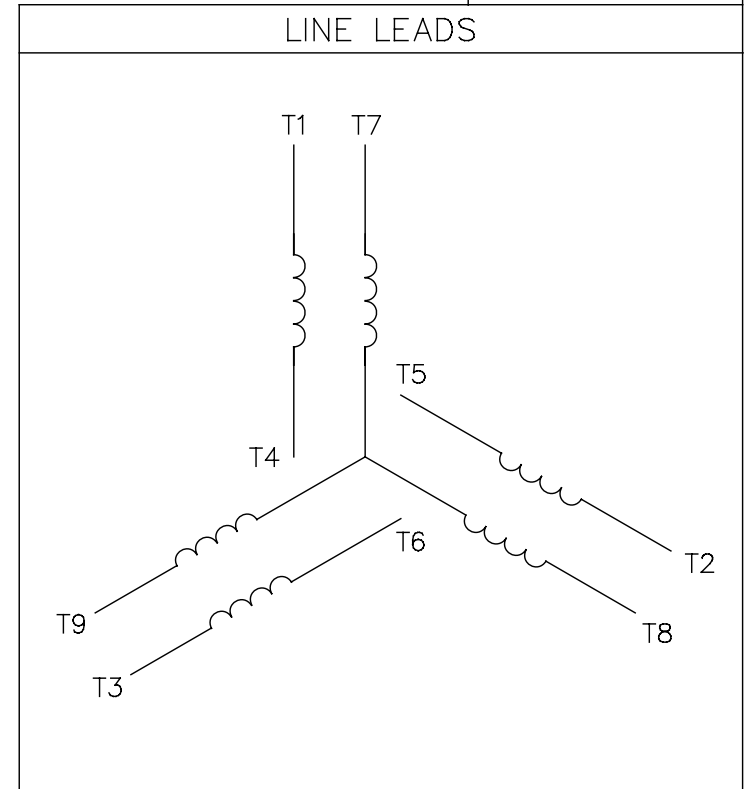
DASH NO.	"C"	"AD"
550	10.00	6.75
575	10.25	7.00
600	10.50	7.25
625	10.75	7.50
650	11.00	7.75
675	11.25	8.00
700	11.50	8.25

3/8-16 UNC 2B TAP x .56 DEEP
(4) REQ'D. ON A ø5.875 B.C.

		TOLERANCES UNLESS SPECIFIED		 ELECTRIC MOTORS GEARMOTORS AND DRIVES	DRAWN VS 3/6/2013	
		DEC.	INCHES		CHK	
		.X	±.1		APPD	
		.XX	±.03		SCALE 1=2	
		.XXX	±.005		REF 031731	
		.XXXX	±.0005	TITLE	OUTLINE - S56J FRAME "C" FACE MOUNT - DRIP PROOF	
				MAT'L.	FMF	
NO.	REVISION	BY & DATE	CHK	ANG	±1/2'	PREV
THIS DRAWING IN DESIGN AND DETAIL IS OUR PROPERTY AND MUST NOT BE USED EXCEPT IN CONNECTION WITH OUR WORK ALL RIGHTS OF DESIGN AND INVENTION ARE RESERVED THIS IS AN ELECTRONICALLY GENERATED DOCUMENT - DO NOT SCALE THIS PRINT			RFP	CAD FILE	032113	SIZE A
			DIST			DRAWING NO. 032113
						REV.

005010-01

VIEW FROM OUTSIDE OF MOTOR AT SWITCH END.



VOLTAGE	L1	L2	L3	JOIN & INSULATE
HIGH	T1	T2	T3	(T4,T7) (T5,T8) (T6,T9)
LOW	T1,T7	T2,T8	T3,T9	T4,T5,T6

				TOLERANCES UNLESS SPECIFIED		REGAL ™ Regal Beloit America, Inc.		DRAWN RDW 04/12/02			
				DEC.	INCHES			CHK			
				.X	±.1			APPD			
				.XX	±.01			SCALE 1=1			
				.XXX	±.005	TITLE		EXTERNAL WIRING DIAGRAM			
				.XXXX	±.0005	MAT'L.		DECAL - 004014			
				ANG	±1/2°	FINISH		REF FIG.2-51			
A	UPDATED TO REGAL LOGO			SAJ	06/26/15	AJY	.XXXX	±.0005	FMF		
NO.	REVISION			BY & DATE	CHK	ANG	±1/2°	FINISH	PREV		
THIS DRAWING IN DESIGN AND DETAIL IS OUR PROPERTY AND MUST NOT BE USED EXCEPT IN CONNECTION WITH OUR WORK ALL RIGHTS OF DESIGN AND INVENTION ARE RESERVED THIS IS AN ELECTRONICALLY GENERATED DOCUMENT - DO NOT SCALE THIS PRINT				RFP	04/12/02	CAD FILE		00501001	SIZE	DRAWING NO.	REV.
				DIST	BRF-NLV			A	005010-01	A	



P.O. BOX 8003
WAUSAU, WI 54401-8003
PH. 715-675-3311

DATA VOLTS: 460

CERTIFICATION DATA SHEET

CONN. DIAGRAM: 005010.01
OUTLINE: 032113-550
WINDING: TE48414

CAT #: 103723.00

DR 3

TYPICAL MOTOR PERFORMANCE DATA

HP	KW	SYNC RPM	FL RPM	FRAME	ENCLOSURE	TYPE	KVA CODE	DESIGN		
0.33	0.25	1800	1725	S6J	DP	TDR	N	B		
PH	HZ	VOLTS	AMPS	START TYPE	DUTY	INSL	S.F.	AMB	ELEV.	
3	60	208-230/460	1.7-1.65/82	ACROSS THE LINE	CONT	B	1.15	40	3300	
F.L. EFF		3/4 LD EFF		1/2 LD EFF		ELECT. TYPE				
66.0		60.0		51.0		SQ CAGE IND RUN				
F.L. PF		3/4 LD PF		1/2 LD PF						
56.0		50.0		40.5						
F.L. TORQUE		LR AMPS @ 460 V		L.R. TORQUE		B.D. TORQUE		F.L. RISE (°C)		
1.00 LB-FT		4.7		4.3 LB-FT 430%		4.7 LB-FT 470%		30		
PRESSURE @ 3		POWER		ROTOR WK²		MAX LOAD WK²		SAFE STALL TIME	STARTS/HOUR	MOTOR WGT
56 DBA		65 DBA		0.04 LB-FT²		0 LB-FT²		10 SEC.	0	17 LB.

*** SUPPLEMENTAL INFORMATION ***

DE BRACKET TYPE	ODE BRACKET TYPE	MOUNT TYPE	MOTOR ORIENTATION	SEVERE DUTY	HAZARDOUS LOCATION	DRIIP COVER	SCREENS	PAINT		
C-FACE	STANDARD	ROUND	HORIZONTAL	NO	NONE	NO	NONE	JE-LEESON (ENAM)		
BEARINGS		SHAFT TYPE		SPECIAL DE		SHAFT MATERIAL		FRAME MATERIAL		
DE ODE	GREASE	BALL BALL	JET PUMP	NONE		416 STAINLESS (C-503)		ROLLED STEEL		
6203		6203								
THERMOSTATS		PROTECTORS		WIDG RTD's		BRG RTD's		THERMISTORS	CONTROL	SPACE HEATERS
NONE		NOT		NONE		NONE		NONE	FALSE	NA
R1 (ohms/ph)	R2 (ohms/ph)	X1 (ohms/ph)	X2 (ohms/ph)	Xm (ohms/ph)	VIBRATION (in/sec)	FLOAT ODE				
0	0	0	0	0	0.080					

* N O T E S *		INVERTER TORQUE: NONE	
		INV. HP SPEED RANGE: NONE	
		ENCODER: NONE	
		BRAKE: NONE	
		FT-LB: NA	
		VOLTAGE: NONE	
		NONE PPR	

DATE: 1/23/2018	UL: Y-(LEESON UL REC)
-----------------	-----------------------



Motor Load Data						
Load	0%	25%	50%	75%	100%	LR
Current (Amps)	0.74	0.74	0.75	0.78	0.80	4.7
Torque (ft-lb)	0.00	0.25	0.50	0.75	1.00	4.3
RPM	1800	1780	1770	1750	1725	0
Efficiency (%)		34.5	51.0	60.0	66.0	
P.F. (%)	20.0	30.5	40.5	50.0	56.0	83.0

Motor Speed Data						Information Block																										
Speed (RPM)	LR	Pull-Up	BD	Rated	Idle	HP	Sync. RPM	Frame	Enclosure	Construction	Voltage	Frequency	Design	LR Code letter	Service Factor	Temp Rise @ FL	Duty	Ambient	Elevation	Rotor/Shaft wk ²	Ref Wdg	Sound Pressure @ 1M	VFD Rating	Outline Dwg	Conn. Diag	Additional Specifications:	R1	R2	X1	X2	Xm	
0		900	1500	1725	1800	0.3	1800	56	DP	TDR	208-230/460	60	B	N	1.15	30	CONT	40	1,000	0.04	TE48414 DR	56	NONE	032113-550	005010.01		0.0000	0.0000	0.0000	0.0000	0.0000	
Current (Amps)	4.7	4.0	3.2	0.80	0.74																											
Torque (ft-lb)	4.3	3.9	4.7	1.00	0.00																											

